

Tools & equipment needed: Drill, 8mm Suitable drill bit, Phillips screwdriver, Spirit level, Ruler/tape measure, Pencil, Silicone sealant (clear).

⚠ IMPORTANT - Advice and safety - Please read before installation

Please read these instructions carefully before starting installation and keep in a safe place for future reference. ENSURE the room is well heated and ventilated.

Check the contents of the pack carefully before installation. Bauhaus will not be held responsible for any de-fit / re-fit costs where faulty product has been fitted.

If any fault is found with materials or workmanship, it must be reported immediately to the manufacturer. Remedial action will be taken, based on information received, on condition that: 1. Full details are supplied to the manufacturer; 2. The product has not been modified or tampered with; 3. The manufacturer is informed of any damage/shortages prior to installation. 4. The product has not been installed, or attempts have been made to install.

We do not accept responsibility for any problems that may occur through incorrect installation.

⚠ Advice & Safety

This product should be only be installed by a suitably qualified Plumber/ installer. Should the installation be completed by a non-qualified person any product guarantee maybe considered invalid. For a claim made under our warranty written certification of your installers qualifications can be required.

It is advised that all doors and drawers are removed prior to fitting to avoid unnecessary damage occurring.

It is recommended that the furniture and accessories are installed after tiling, ensuring that the product is installed flat to the tile face and allows product to be easily removed if required in the future.

This document has been prepared for your guidance, you must exercise due care at all times.

Please note that some units are heavy. Always take care when lifting, and follow health and safety guidelines. It is recommended that 2 people carry out the installation of larger basin/vanity units.

Warning! Please check for any hidden pipes or electrical cables before drilling holes in the floor or walls.

When using power tools always follow the manufacturer's user instructions. Always use the correct wall fixings for non-solid walls – not supplied. Please ensure the wall can take weight of units detailed above. Before installing a wooden bathroom unit into a new property, extension or recently plastered room we strongly advise the building/room is completely dry, well ventilated and adequately heated.

Important pre-installation notes

The carcass on coloured products is supplied with a protective film. This should be removed only after installation is complete. Simply peel off and wipe down with a well wrung chamois leather or micro fibre cloth.

To ensure full working use of the drawers we recommend the use of Bauhaus basin furniture trap BTR0410W.

Care & Cleaning

Cast mineral marble products should be cleaned regularly with warm soapy water, then rinsed with clean water and, if desired, dried and polished with a soft cloth. Lime scale deposits can be removed using a 50:50 solution of warm water and lime scale remover and soft clean cloth. We recommend regular cleaning with Bauhaus Cream Polish SD150RW, specially formulated to clean and help protect the surface of cast mineral marble basins.

Do not use abrasive cleaners or bleach this will permanently damage the high gloss surface.

Use a well wrung chamois leather or micro fibre cloth to clean furniture carcasses.

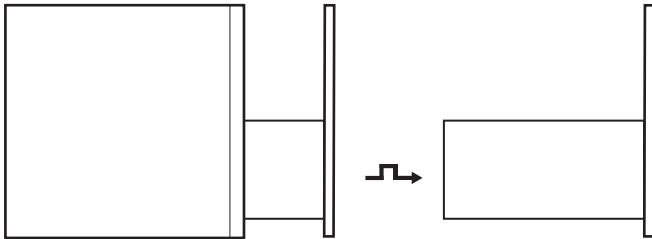
If any maintenance is required then it must be carried out by a qualified Plumber.

The manufacturer reserves the right to make technical modifications without prior notice.

Single Drawer Basin Unit & Basin Installation

Step 1

Remove the drawer before installation. Pull the drawer fully out, lift the front, pull out again, lower and fully remove.

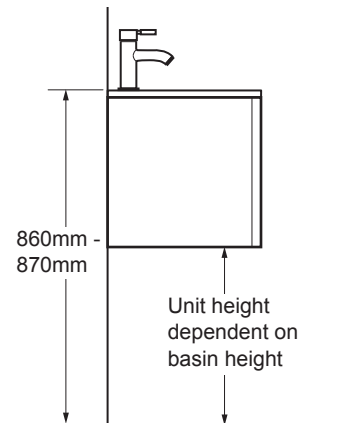


Step 2

Plan unit position

Decide on the position and height of the unit.

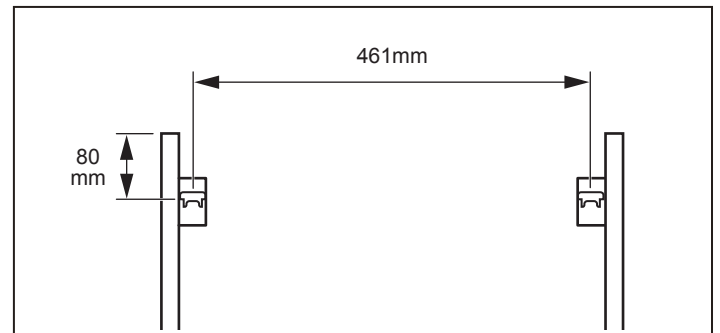
The recommended basin height is between 860mm and 870mm.



Step 3

Note: The Unit can be hung using one of two options, 'Hanging hooks' or 'Wall brackets' depending on your requirements and wall structure.

It is recommended to use the bracket option on non-solid walls. See options below.



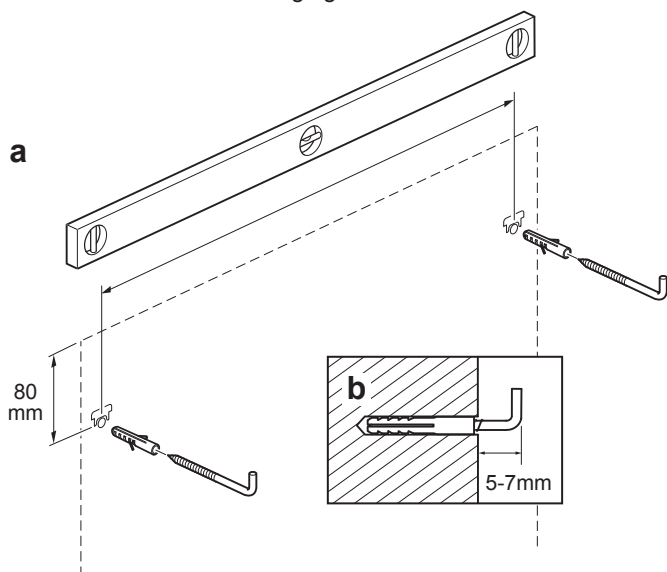
'Hanging hook' installation

Use the measurements above, to position the 'hanging hooks'.

a: Mark the fixing hole positions onto the wall.

Drill Ø 8mm holes, insert the wall plugs and the 'hanging hooks'.

b: The 'hanging hooks' should protrude from the wall by 5-7mm. Position the unit on the hanging hooks.



'Wall bracket' installation

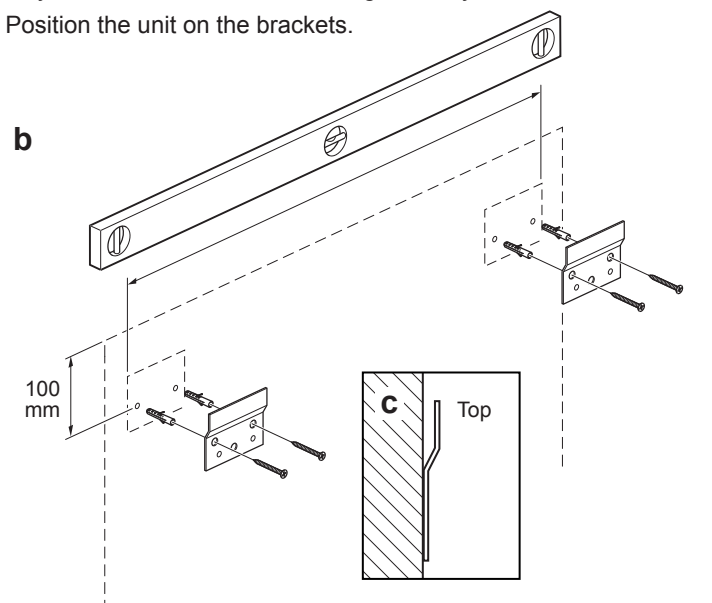
Use the measurements above, to position the 'wall brackets'.

a: Important: The measurements given above are the maximum the brackets can be spaced apart, the brackets must fit within that measurement.

b: Mark the bracket fixing holes onto the wall. Drill Ø 8mm holes, insert the wall plugs on solid walls and attach the brackets (c).

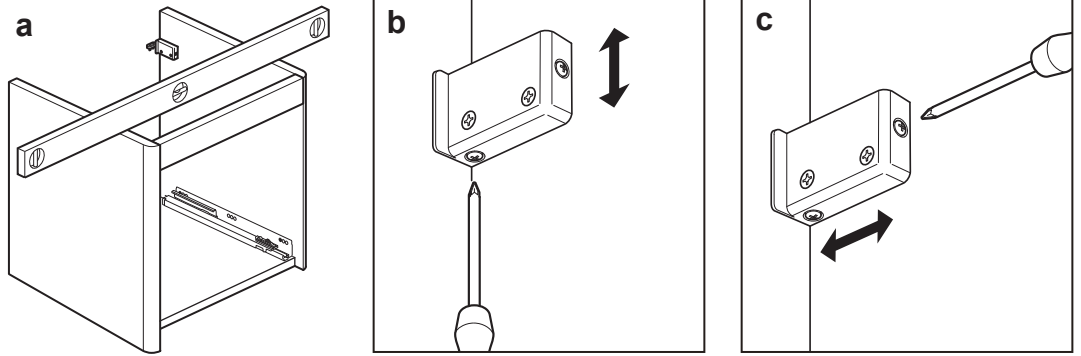
Important: If the basin unit and/or basin are not fitted level this may result in the basin not draining correctly.

Position the unit on the brackets.

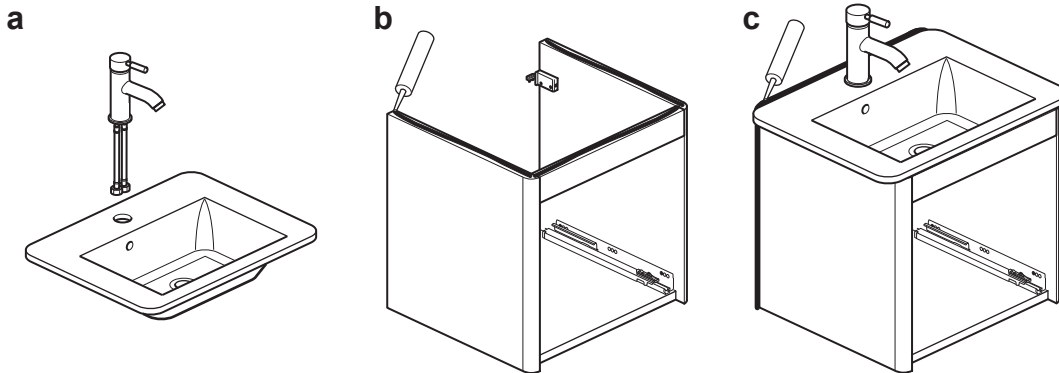


Step 4

- a:** Check the unit is level. If levelling is required, use a screwdriver to adjust the hanging position, as follows:
- b:** To lift or lower the unit, adjust the screw shown.
- c:** To move the unit closer or further from the wall, adjust the screw shown.



Step 5



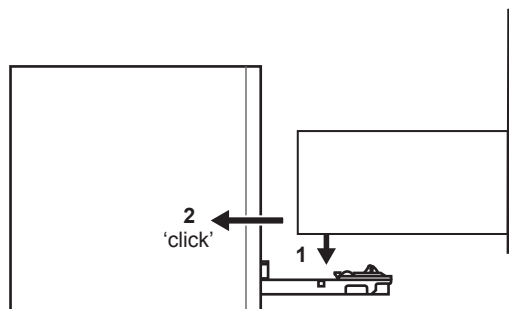
- a:** Attach the tap to basin and carefully bed in the waste using silicone **only**.
- b:** Carefully apply silicone to the top edges of the unit.
- c:** Carefully position the basin down onto the unit, ensure it is centrally positioned and flush at the back.
- Connect the tap and waste. Apply a bead of silicone to the join between the basin/unit and wall, on all 4 sides. Leave silicone, 24 hours to dry.

Note: Basin waste and tap fittings when over tightened can create stress within the basin material which may in time cause the failure of the product. Waste fittings should be carefully bedded in silicone and the back nut hand tightened an

additional quarter turn using a suitable spanner is sufficient to create the required watertight seal. Care should also be taken when fitting brassware to tap platforms in order to prevent similar stress related failures.

Step 6

- Re-fit drawer:** Pull both drawer runners fully out.
- 1:** Set the drawer down onto the runners.
- 2:** Push the drawer fully in until it locks (click).
- Test to make sure the drawer operates correctly.



bauhaus 

For any further information please contact
Bauhaus on: **0845 873 8840**

Or visit our web-site at:
www.bauhaus-bathrooms.co.uk

The manufacturer reserves the right to make technical
modifications without prior notice.