



# LEFROY BROOKS

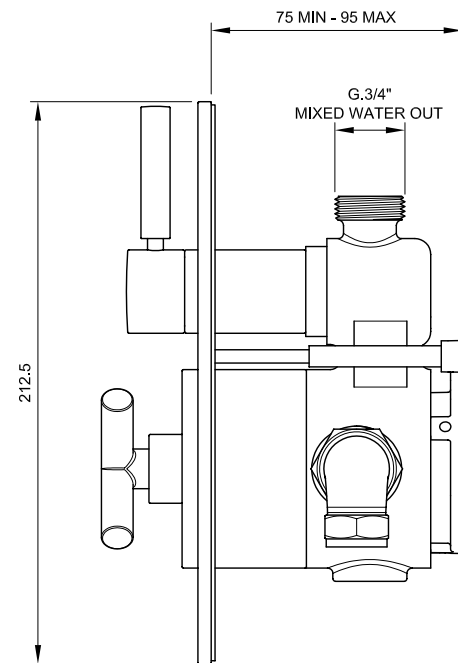
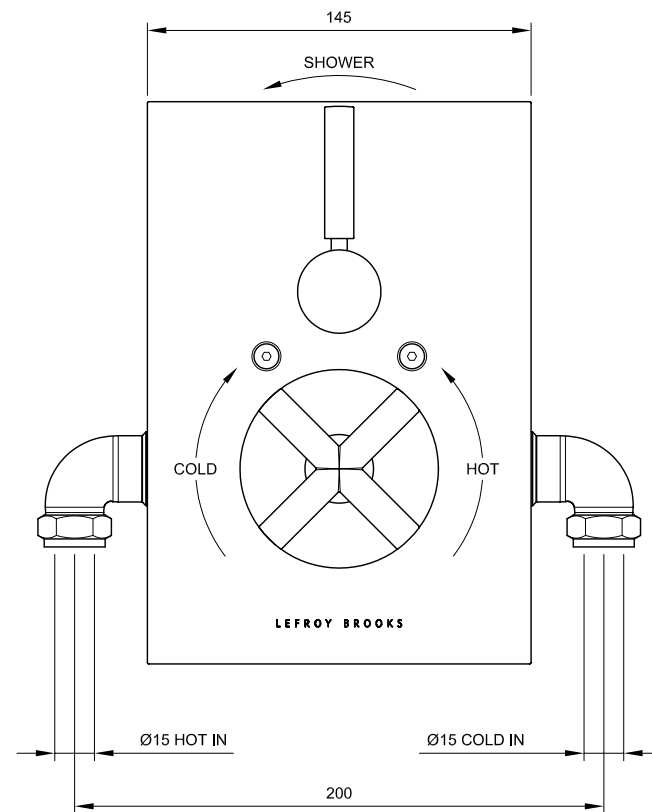
IBROC HOUSE ESSEX ROAD HODDESDON  
HERTS EN11 0QS ENGLAND

## XO5400

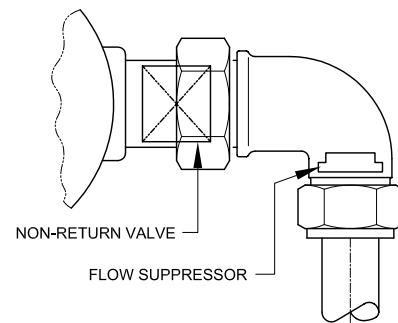
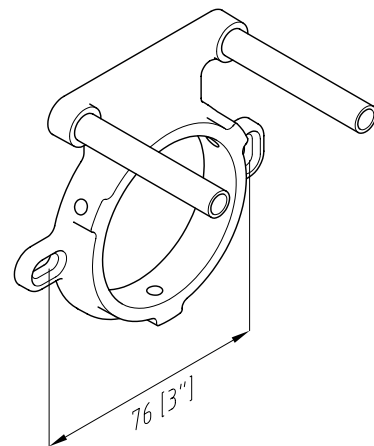
### ZU THERMOSTATIC VALVE

#### DIMENSIONAL DATA SHEET

DATE 23 JUNE 2003  
NUMBER 30 069 5400 A



**NOTE:** MAX. PANEL THICKNESS  
15mm WITH MIN. CAVITY DEPTH  
35mm WITH MAX. PANEL DEPTH

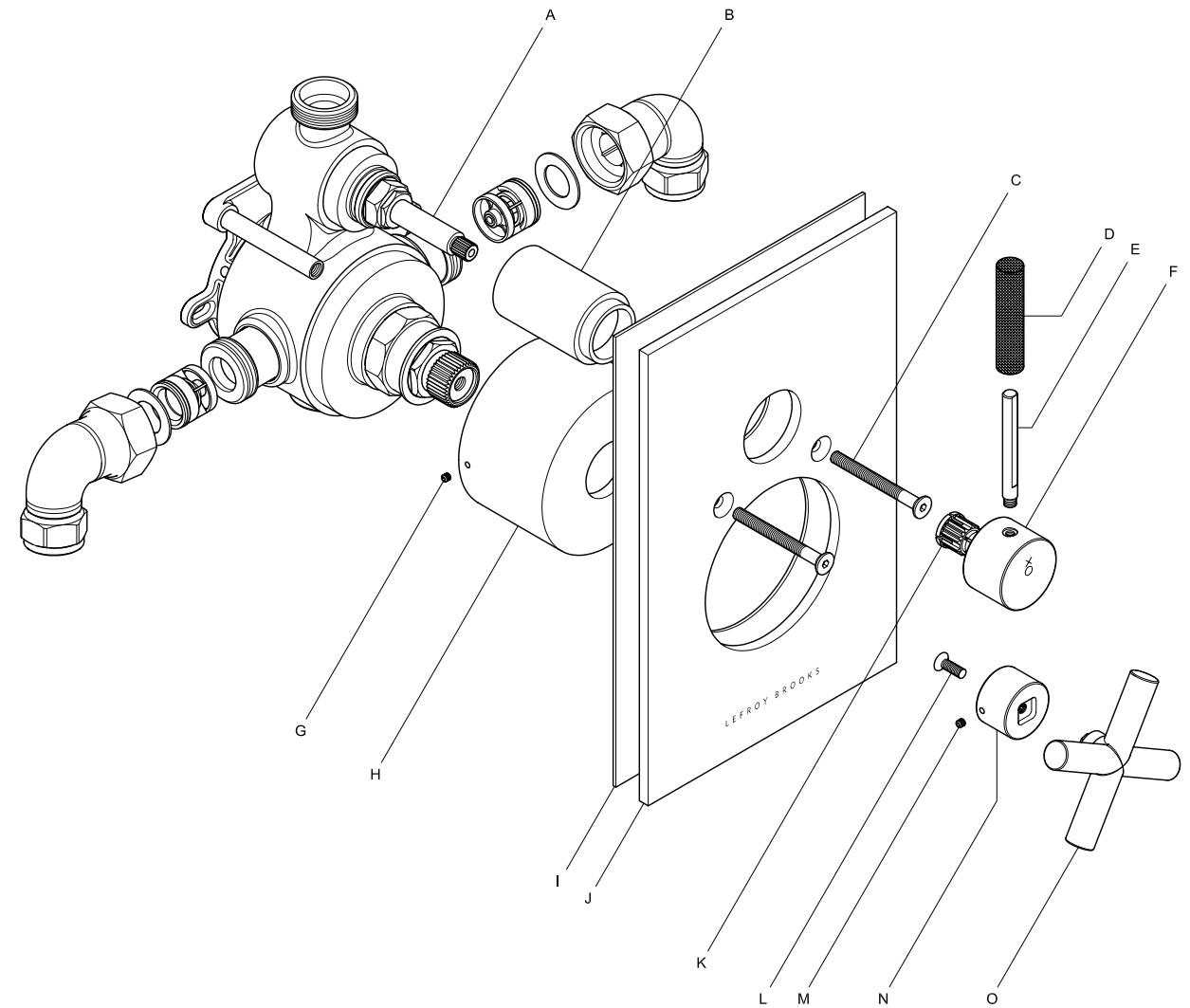


DIMENSIONS IN MILLIMETRES

Whilst every effort is made to ensure the accuracy of these data they are subject to change without notice as part of the company's continuing product development process

## XO5400

### ZU THERMOSTATIC VALVE



- A ZU CONCEALED SHOWER ASSEMBLY
- B 30 007 081 - FLOW CONTROL COVER
- C ISO 10642 CSK SOCKET HEAD SCREW - M5 X 30
- D 30 007 003 - LEVER SLEEVE
- E 30 006 001 - LEVER SHAFT
- F 30 505 003 - FLOW CONTROL HEAD
- G ISO 4026 SET SCREW - M3 X 3
- H 30 030 310 - THERMOSTAT COVER
- I 30 048 026 - FACEPLATE GASKET
- J 30 030 300 - FACEPLATE
- K SPLINED NYLON BUSH
- L ISO 10642 CSK SOCKET HEAD SCREW - M4 X 12
- M ISO 4026 SET SCREW - M3 X 3
- N 30 051 063 - COLLAR
- O 30 005 022 - CRUCIFORM CONTROL