



The interplay of volumes defines one of Roca's most exclusive vitreous china collections, for those who wish to take a step further in the search for innovation and design.

Unik (base unit with two drawers and basin)

Base unit / Closing and opening system: Push to open

Base unit / Doors and drawers combination: 2 drawers

Base unit / Structure: Drawers

Basin / Taphole configuration: 1 taphole on the right side

Basin / Without overflow

Dimensions / Basin and base unit / Height (mm): 525

Dimensions / Basin and base unit / Length (mm): 600

Dimensions / Basin and base unit / Width (mm): 500

Installation type: Wall-hung

Material / Base unit: Chipboard

Material / Basin: FINECERAMIC®

Tap installation: On the basin

Colours and finishes

How to obtain the reference number

Replace the “..” with the desired finish code from the list below

	402 City oak
	806 Gloss White

Dimensions

Length: 600 mm.

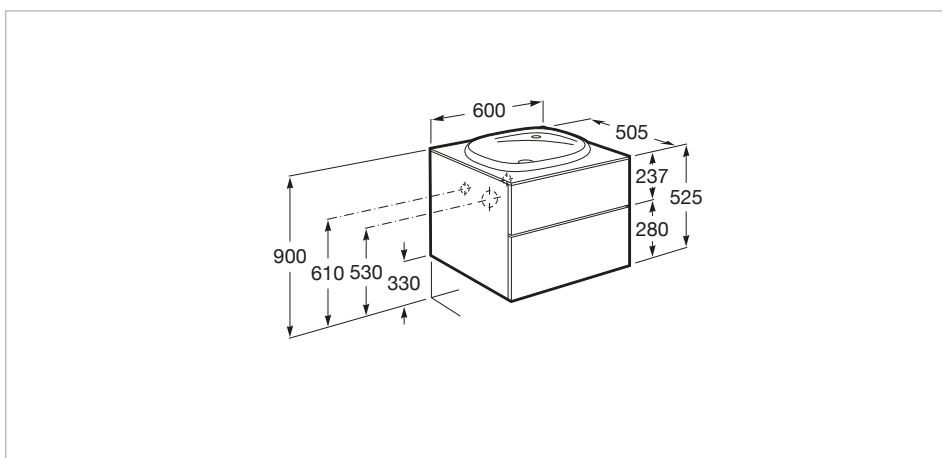
Width: 505 mm.

Height: 525 mm.

Includes

3270BC..0 Vanity FINECERAMIC® basin

Technical drawings





Vanity FINECERAMIC® basin

Bowl position: Central

Installation type: Vanity

Taphole configuration: 1 taphole on the right side

The interplay of volumes defines one of Roca's most exclusive vitreous china collections, for those who wish to take a step further in the search for innovation and design.

Colours and finishes

How to obtain the reference number

Replace the “..” with the desired finish code from the list below



00 White

Dimensions

Length: 505 mm.

Width: 610 mm.

Height: 160 mm.

Optional

851356... Unik (base unit with two drawers and basin)