



The interplay of volumes defines one of Roca's most exclusive vitreous china collections, for those who wish to take a step further in the search for innovation and design.

## Unik (base unit with two drawers and basin)

Base unit / Closing and opening system: Push to open

Base unit / Doors and drawers combination: 2 drawers

Base unit / Structure: Drawers

Basin / Taphole configuration: 1 taphole on the right side

Basin / Without overflow

Dimensions / Basin and base unit / Height (mm): 525

Dimensions / Basin and base unit / Length (mm): 1000

Dimensions / Basin and base unit / Width (mm): 500

Installation type: Wall-hung

Material / Base unit: Chipboard

Material / Basin: FINECERAMIC®

Tap installation: On the basin

### Colours and finishes

How to obtain the reference number

Replace the “..” with the desired finish code from the list below

	402 City oak
	806 Gloss White

### Dimensions

Length: 1000 mm.

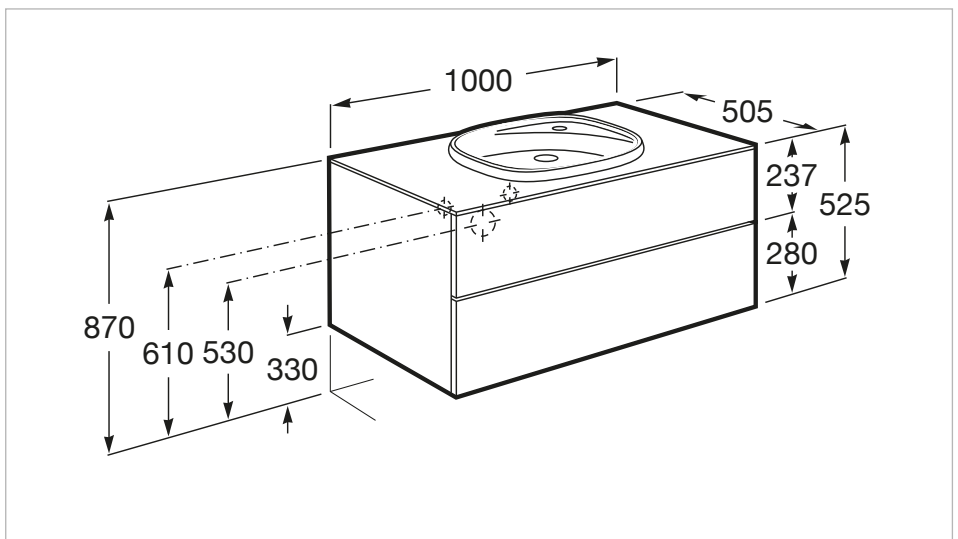
Width: 505 mm.

Height: 525 mm.

### Includes

3270BA..0 Vanity FINECERAMIC® basin

### Technical drawings



### Vanity FINECERAMIC® basin



The interplay of volumes defines one of Roca's most exclusive vitreous china collections, for those who wish to take a step further in the search for innovation and design.

Bowl position: Central

Installation type: Vanity

Taphole configuration: 1 taphole in the middle

### Colours and finishes

How to obtain the reference number

Replace the “..” with the desired finish code from the list below



00 White

### Dimensions

Length: 505 mm.

Width: 1010 mm.

Height: 160 mm.

### Optional

851358... Unik (base unit with two drawers and basin)